

10

9

8

7

6

5

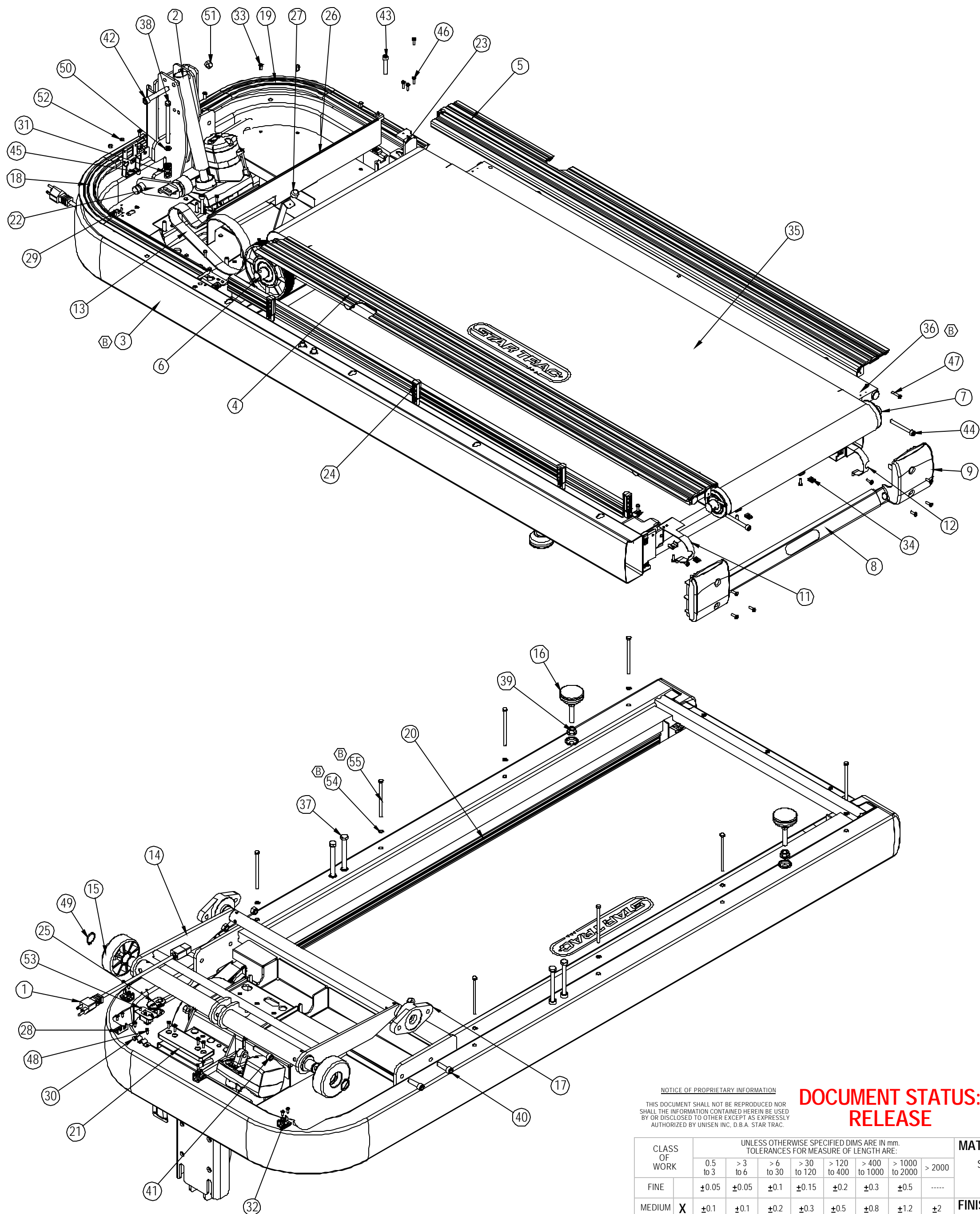
4

3

2

1

REVISION HISTORY				
REV	DATE	DESCRIPTION	ECO	BY
A	09-18-07	PRODUCT RELEASE	11717	SJ
B	04-16-08	BOM: REPLACE 740-6175 WITH 740-6206; UPDATE BASE ASSY FRAME AND ADD BOLTS AND WASHERS	11861	AK



ITEM NO.	STAR TRAC P/N	INRAY P/N	DESCRIPTION	??QTY.
1	220-0278	220-0278	LINE CORD, 110V, NEMA 5-20 PLUG	1
2	740-6005	740-6005	ASSY, ELEV MOTOR, 110V, S-TR	1
3	740-6052	STDP0500	ASSY, FRAME, S-TR, ST SILVER	1
4	740-6053	STDP1900	COVER, SIDE RAIL, LEFT, S-TR	1
5	740-6054	STDP2000	COVER, SIDE RAIL, RIGHT, S-TR	1
6	740-6055	STDP4100	ROLLER, HEAD, S-TR	1
7	740-6056	STDP4200	ROLLER, TAIL, S-TR	1
8	740-6057	STDP2900	ENDCAP, LEFT, S-TR	1
9	740-6058	STDP3000	ENDCAP, RIGHT, S-TR	1
8	740-6059	STDP3100	COVER, BACK	1
11	740-6060	STDP1100	GUARD, FINGER-ROLLER, LEFT, S-TR	1
12	740-6061	STDP1200	GUARD, FINGER-ROLLER, RIGHT, S-TR	1
13	740-6062	DXD260J10	BELT, POLY V, 260J10	1
14	740-6063	STDP0600	WELDMENT, ELEVATION	1
15	740-6064	STDP3200	WHEEL, 100MM, OD	2
16	740-6065	STDP3400	FEET, LEVELING	2
17	740-6066	STDP4600	PILLOW BLOCK, 25MM	2
18	740-6067	STDP1700	COVER, FRONT RAIL, LEFT	1
19	740-6068	STDP1800	COVER, FRONT RAIL, RIGHT	1
20	740-6069	740-6069	EXTRUSION, RUBBER, CUSHIONING	2
21	740-6070	STDP2800	BUMPER, ELEVATION STOPPER	1
22	740-6071	STDP0700	ASSY, IDLER, MOTOR TENSIONER	1
23	740-6072	STDP1400	BRACKET, DECK STOP, FRONT	1
24	740-6073	STDP3500	BRACKET, DECK STOP, SIDE	8
25	740-6074	STDP5700	GROMMET, CABLES PROTECTION	1
26	740-6075	STDP0800	ASSY, DUST GUARD	1
27	740-6076	STDP5300	BUMPER, SHROUD SPACER	1
28	740-6077	STDP5000	BASE, POWER CORD, ROUTER A	2
29	740-6083	Z13	IEC, CONNECTOR, 110V, 20A	1
30	740-6086	STDP4400	BRACKET, POWER CORD HOLDER	1
31	740-6087	STDP4700	SPRING, IDLER TENSIONER	1
32	740-6088	STDP5100	BASE, POWER CORD, ROUTER B	2
33	740-6089	STDP5400	INSERT, M5	13
34	740-6090	STDP5500	THINNEMAN, M5	17
35	740-6174	STDP3800-TRX	BELT, RUN, 20"W	1
36	740-6206	740-6206	DECK, 25.7 X 53.75 X 11N	1
37	740-6503	GB5780M10*140; ; 2	SCREW, GB5780M10*140	4
38	740-6504	GB5780M8*115; ; 2	SCREW, GB5780M8*115	1
39	740-6505	GB6177M12; ; 2	NUT, GB6177M12	2
40	740-6506	GB70M10*35; ; 4	SCREW, GB70M10*35	4
41	740-6507	GB70M10*50; ; 4	SCREW, GB70M10*50	1
42	740-6508	GB70M10*70; ; 4	SCREW, GB70M10*70	1
43	740-6509	GB70M8*45; ; 4	SCREW, GB70M8*45	2
44	740-6510	GB70M8*70*70; ; 4	SCREW, GB70M8*70*70	2
45	740-6511	GB73M8*10; ; 12	SCREW, GB73M8*10	1
46	740-6512	GB818M5*15; ; 2	SCREW, GB818M5*15	29
47	740-6513	GB818M5*25*25; ; 2	SCREW, GB818M5*25*25	2
48	740-6514	GB845ST4.2*13; ; 1	SCREW, GB845ST4.2*13	18
49	740-6515	GB894.125; ; 12	RETAINER RING, GB894.125	2
50	740-6516	GB958; ; 2	WASHER, GB958	1
51	740-6517	NM10; ; 2	NYLON LOCK NUT, NM10	6
52	740-6518	GB41M3; ; 2	NUT, M3	2
53	740-6519	GB818M3*12; ; 2	SCREW, GB818M3*12	2
54	740-6537	GB862.26; ; 6	WASHER, GB862.2	8
55	GB5780M6*105	GB5780M6*105; ; 2	BOLT, M6X105MM	8

NOTICE OF PROPRIETARY INFORMATION  
 THIS DOCUMENT SHALL NOT BE REPRODUCED NOR SHALL THE INFORMATION CONTAINED HEREIN BE USED BY OR DISCLOSED TO OTHERS EXCEPT AS EXPRESSLY AUTHORIZED BY UNISEN INC. D.B.A. STAR TRAC.

**DOCUMENT STATUS:  
RELEASE**

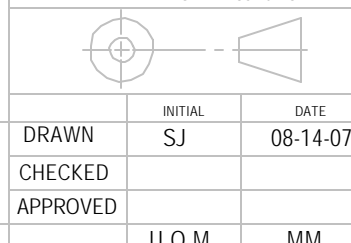
CLASS OF WORK	UNLESS OTHERWISE SPECIFIED DIMS ARE IN mm. TOLERANCES FOR MEASURE OF LENGTH ARE:						
	0.5 to 3	> 3 to 6	> 6 to 30	> 30 to 120	> 120 to 400	> 400 to 1000	> 1000 to 2000
FINE	±0.05	±0.05	±0.1	±0.15	±0.2	±0.3	±0.5
MEDIUM X	±0.1	±0.1	±0.2	±0.3	±0.5	±0.8	±1.2
COARSE	±0.2	±0.3	±0.5	±0.8	±1.2	±2	±4
VERY COARSE	-----	±0.5	±1	±1.5	±2.5	±4	±8

MATERIAL  
SEE BOM

FINISH  
N/A

VENDOR: P/N: 740-6147

THIRD ANGLE PROJECTION



UNISEN, INC. DBA  
**STAR TRAC**  
 14410 Myford Road  
 Irvine CA 92606

STARTRAC PART NO: **740-6147** REV: **B**

TITLE: **ASSY, ELEV & RUNNING , 110V 16A, TR-11**

SCALE: 1:10 SHEET 1 OF 1 SHEET SIZE: C

NOTES:

A

10

9

8

7

6

5

4

3

2

1